

Aberdeen



Shown in fabric 100CR-43, throw pillow fabric (TP) 100CR-43, Chocolate wood finish.

P603-002 Sofa: L88 x D40 x H39
cm: L224 x D102 x H99

Seat Height: 22" Seat Depth: 23" Arm Height: 27" Distance Between Arms: 72"



Shown in fabric 11798-10, throw pillow fabric (TP) 11798-10, Espresso wood finish.

Overall Height: 39" Seat Height: 22" Seat Depth: 23" Arm Height: 27"

ALSO AVAILABLE:

88" Sofa with Bench Seat(-022) • 94" Sofa(-003) • 94" Sofa with Bench Seat(-033)
Chair 1/2(-068) • Ottoman(-075) • Chair 1/2 Chaise Ottoman(-085) • Chair 1/2 Chaise Ottoman Top(-086)

All available Upholstered and Slipped
See back for details and ordering information.

Aberdeen

Standard Features	P603-002 P603-022	P603-003 P603-033	P603-068	P603-075	P603-085	P603-086
Loose Pillow Back	✓	✓	✓	N/A	N/A	N/A
Suspension System	sinuous	sinuous	sinuous	webbing	webbing	webbing
Two 22" Non-Welted Down-Blend Throw Pillows (TP)	✓	✓	✓(1)	N/A	N/A	N/A
Harmony Cushion	✓	✓	✓	✓	✓	✓
Wooden Leg Finish Choices	✓	✓	✓	✓	✓	✓
Options - See Price List for Prices						
Cloud Cushion	✓	✓	✓	✓	✓	✓
Extra Throw Pillows (XP)	✓	✓	N/A	N/A	N/A	N/A
Fitted Arm Covers	✓	✓	✓	N/A	N/A	N/A

Pattern Availability: RG, PS, NM, RS

This is a suggested application. Application is subject to change.
 Sizes and Dimensions will vary from piece to piece due to the individual hand craftsmanship used in every style we produce.
 All furniture style names are for internal reference only, not intended for commercial use.

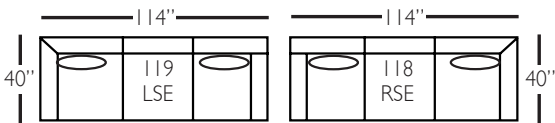
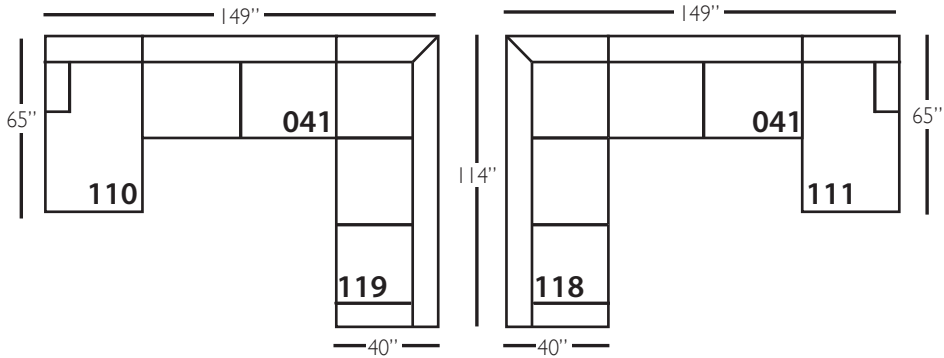
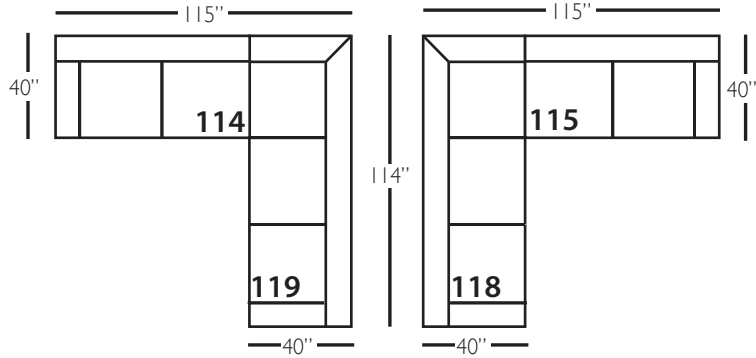
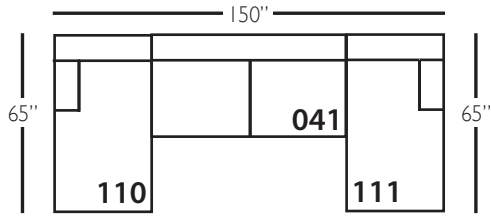
Aberdeen Sectional

Standard Features	P603-041 Large Armless	P603-061 Small Armless	P603-110/111 Right/Left Chaise	P603-114/115 Right/Left Two Seated End	P603-118/119 Right/Left Three Seated End w/ Corner
Loose Pillow Back	✓	✓	✓	✓	✓
One 22" Non-Welted Down-Blend Throw Pillow (TP)	N/A	N/A	✓	✓	✓ (2)
Wooden Leg Finish Choices	✓	✓	✓	✓	✓
Harmony Cushion	✓	✓	✓	✓	✓
Suspension System	sinuous	sinuous	sinuous	sinuous	sinuous
Options - See Price List for Prices					
Extra Throw Pillows (XP)	N/A	N/A	✓	✓	✓
Fitted Arm Covers	N/A	N/A	✓	✓	✓
Cloud Cushion	✓	✓	✓	✓	✓

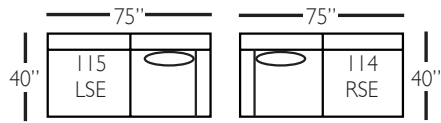
Pattern Availability: RG, PS, NM, RS

This is a suggested application. Application is subject to change.
 Sizes and Dimensions will vary from piece to piece due to the individual hand craftsmanship used in every style we produce.
 All furniture style names are for internal reference only, not intended for commercial use.

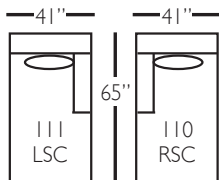
Aberdeen Sectional



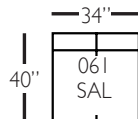
P603-118 - RSE
P603-119 - LSE



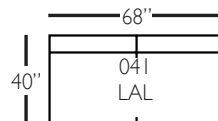
P603-114 - RSE
P603-115 - LSE



P603-110 - RSC
P603-111 - LSC



P603-061 - SAL



P603-041 - LAL